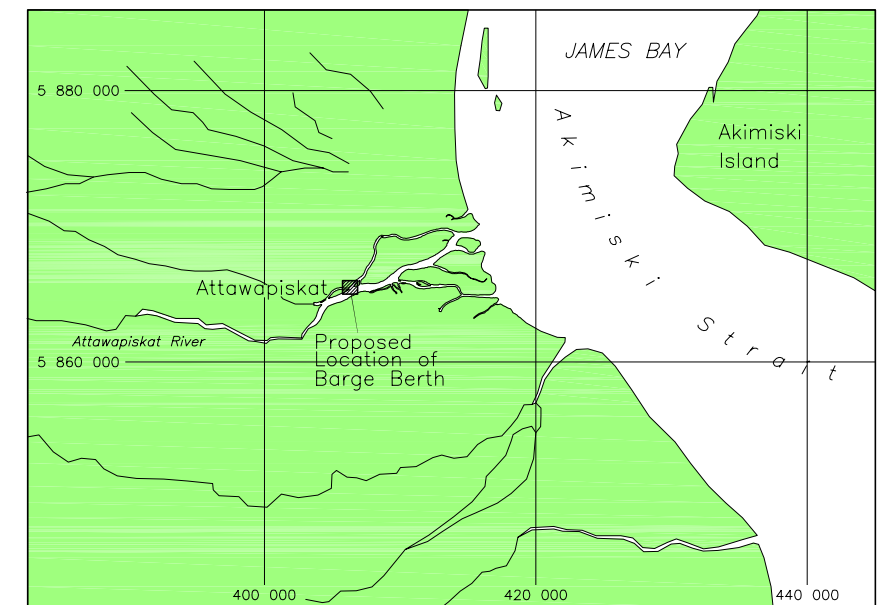


BARGE BERTH PLAN VIEW



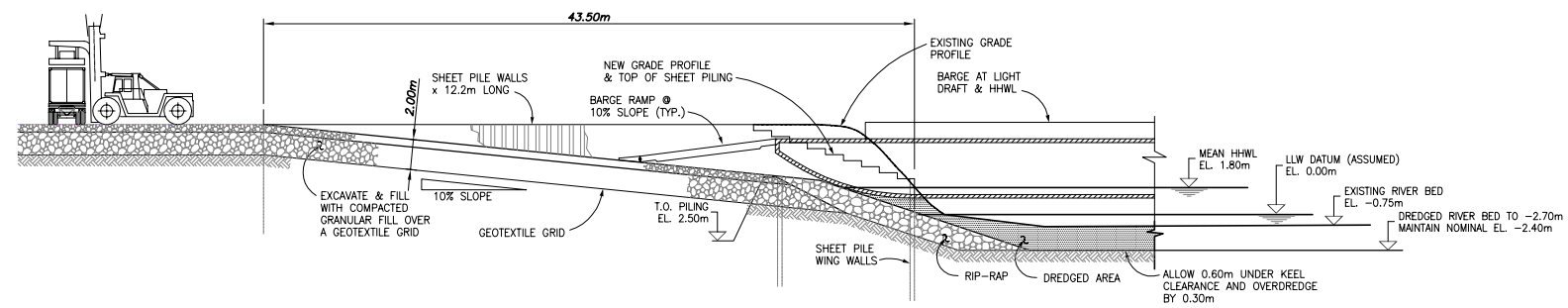
INDEX MAP

LEGEND:

DEPTH CONTOURS (INDEXED EVERY 2.5 m)
SHOWN EVERY 0.5 m

NOTE:

1. A HYDROGRAPHIC SURVEY OF THE LOWER ATTAWAPISKAT RIVER WAS CONDUCTED BY TERRA REMOTE SENSING INC. DURING 12-17 AUGUST 2003.
2. SOUNDINGS WERE REDUCED TO GEODETIC DATUM WHICH IS 8.367 METRES BELOW THE BENCHMARK, AT THE TOP OF A THREADED BOLT AT THE NORTHWEST FOOTING CORNER OF THE ATTAWAPISKAT MICROWAVE ANTENNA TOWER.
3. ALL ELEVATIONS SHOWN ARE METRES BELOW GEODETIC DATUM. ELEVATION TEXT IS REFERENCED TO THE DECIMAL POINT OF EACH NUMBER, UTM COORDINATE IS BASED ON NAD27, ZONE 17.
4. CONTOURS ARE BASED ON A LARGER DATA SET THAN IS SHOWN ON THIS DRAWING.



BARGE BERTH SECTION
SCALE 1:500

<p>Victor Diamond Project Environmental Assessment</p>	
<p>Attawapiskat Barge Berth</p>	
SCALE: AS SHOWN	DATE: FEBRUARY 2004
PROJECT NUMBER: TC26152	Figure 3-17

R:\LAND\PROJECTS\TC26152 (De Beers Environmental 2002-2003)\CEAA Report\1 - FINAL CEAA\SECTION 3 - project description\Figure 3-17.dwg